



Illustrated Parts List

Model Series

126L00

TYPE NUMBERS
0010 through 1100.

TABLE OF CONTENTS

Air Cleaner	4
Alternator	6
Blower Housing/Shrouds	5
Camshaft	2
Carburetor	3
Controls	4
Crankshaft	2
Cylinder	2
Electric Starter	6
Electrical	6
Engine Sump	2
Exhaust System	4
Flywheel	6
Flywheel Brake	4
Fuel Supply	3
Governor Spring	4
Ignition	6
Kits/Gaskets	2 & 3
Lubrication	2
Piston Group	2
Rewind Starter	5
Valves	2

PRINTED IN U.S.A.



COPYRIGHT by BRIGGS & STRATTON CORPORATION
All rights reserved. No part of this material may be reproduced or transmitted,
in any form or by any means, electronic or mechanical, including photocopying,
recording or by any information storage and retrieval system, without permission
in writing from Briggs & Stratton Corporation.

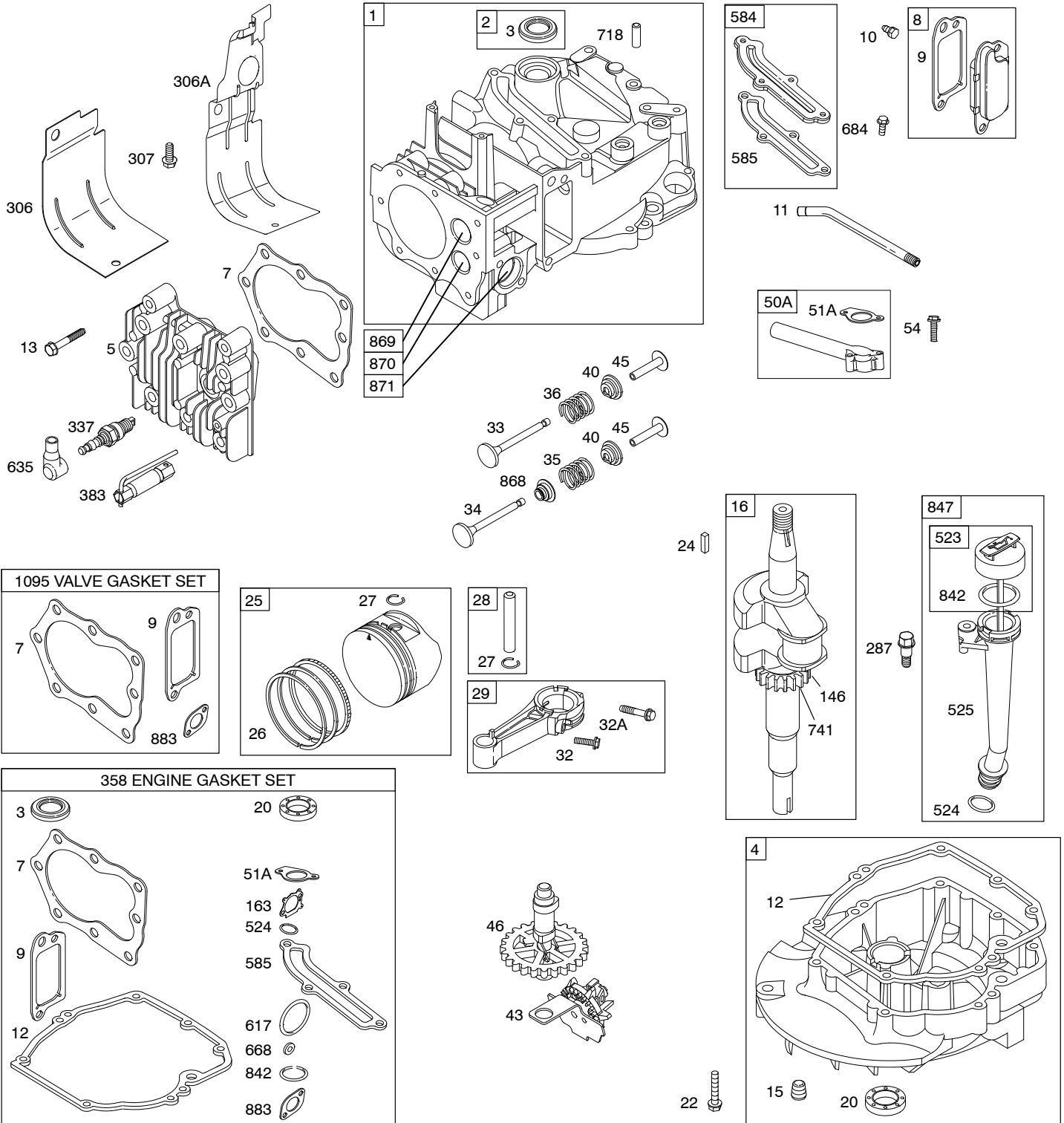
126L00

1319 WARNING LABEL

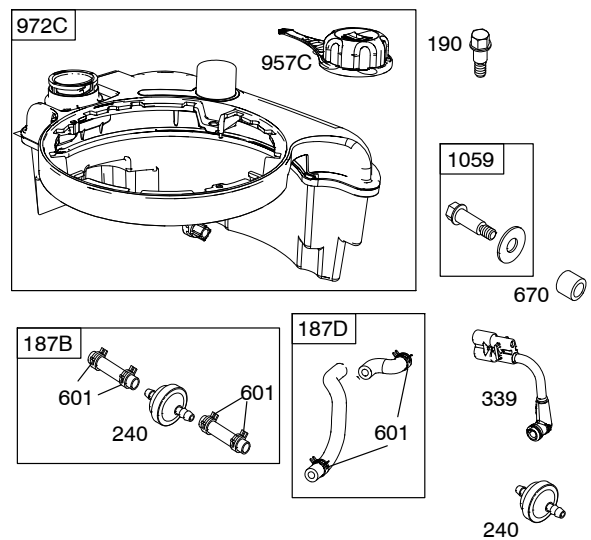
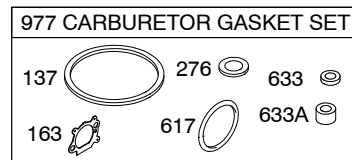
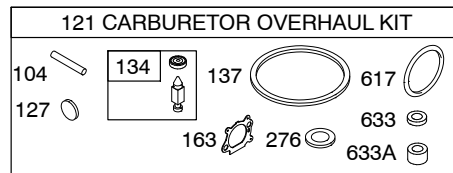
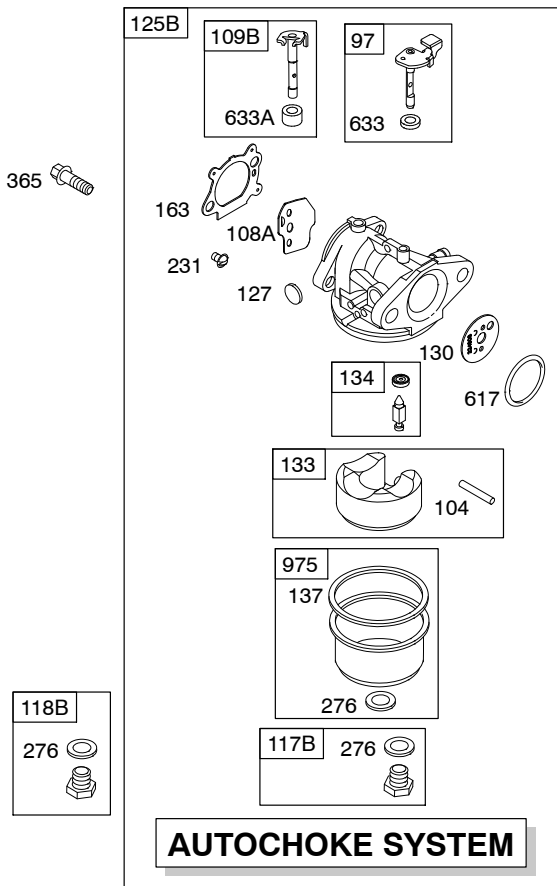
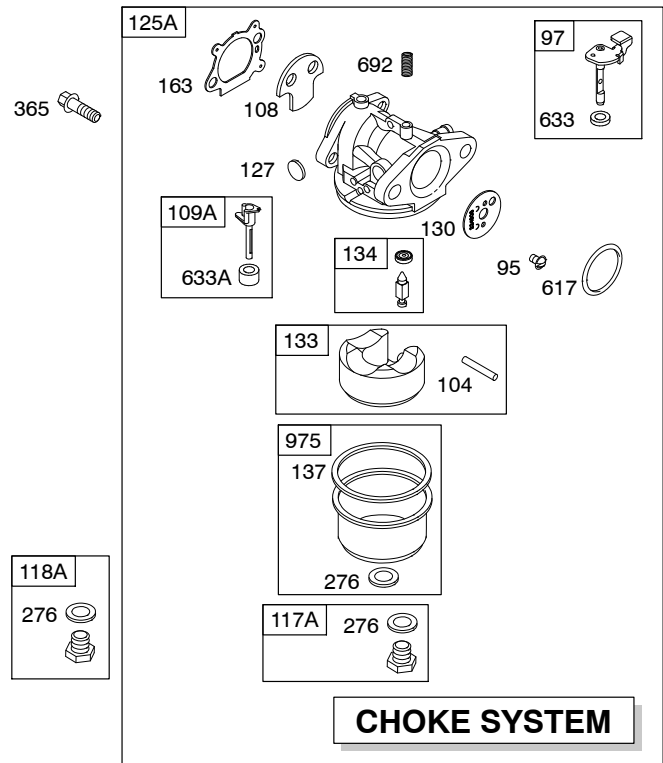
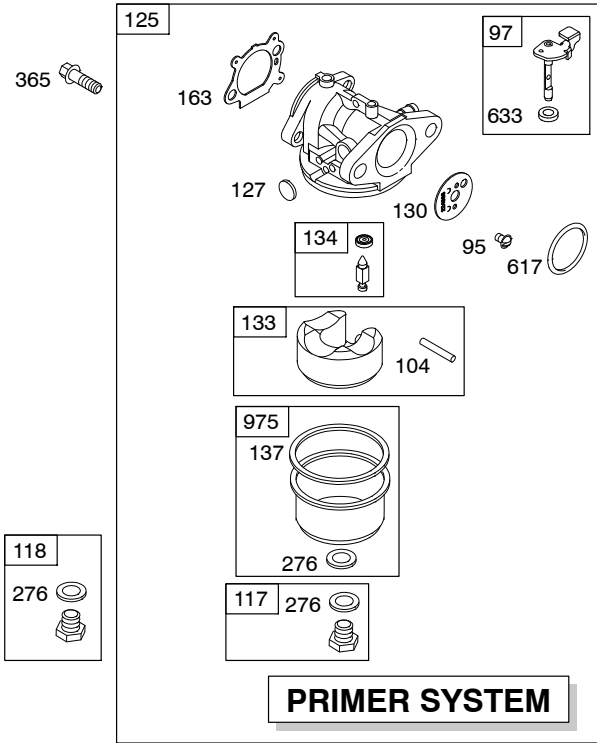
REQUIRED when replacing parts with warning labels affixed.

1058 OPERATOR'S MANUAL

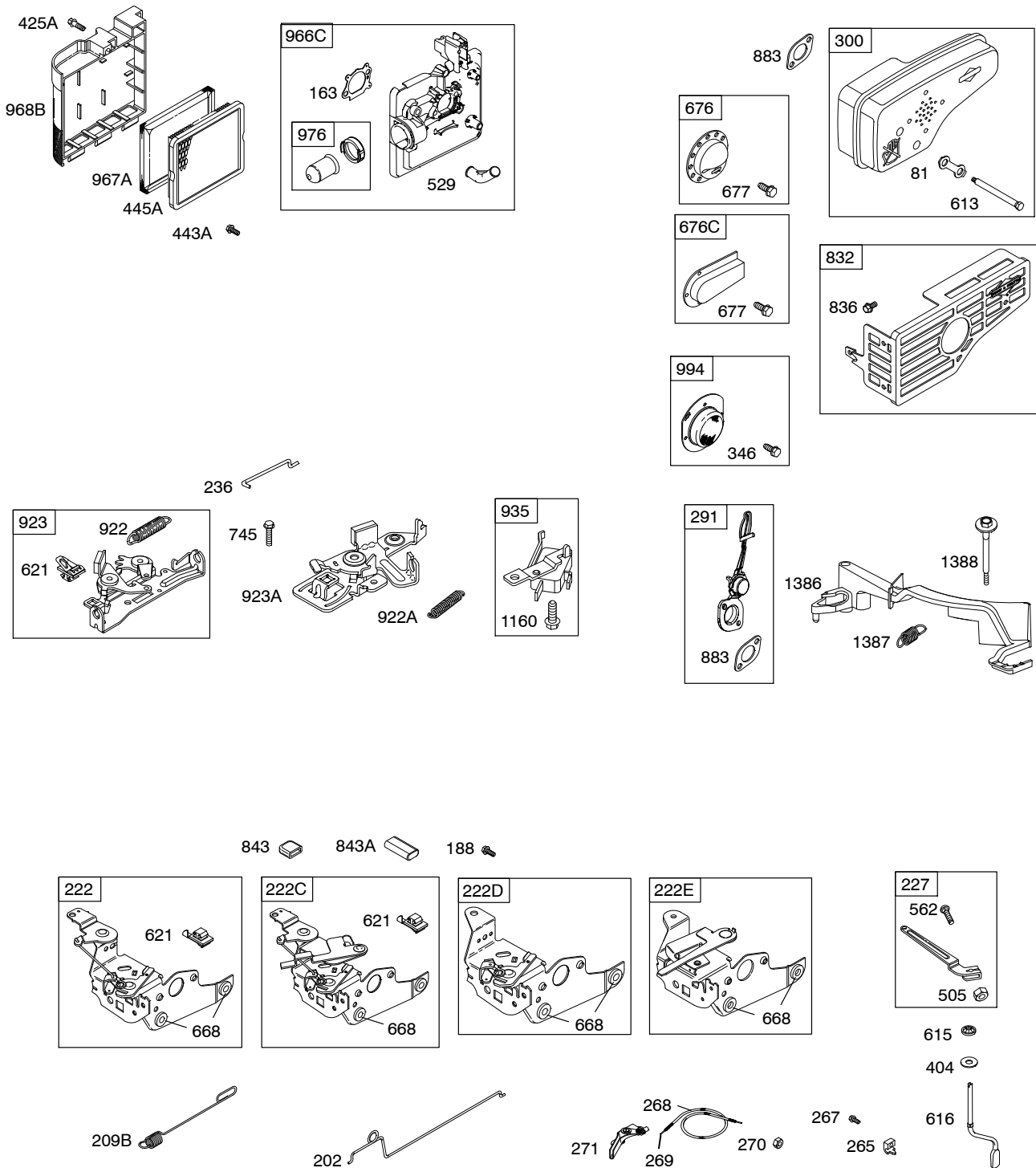
1330 REPAIR MANUAL



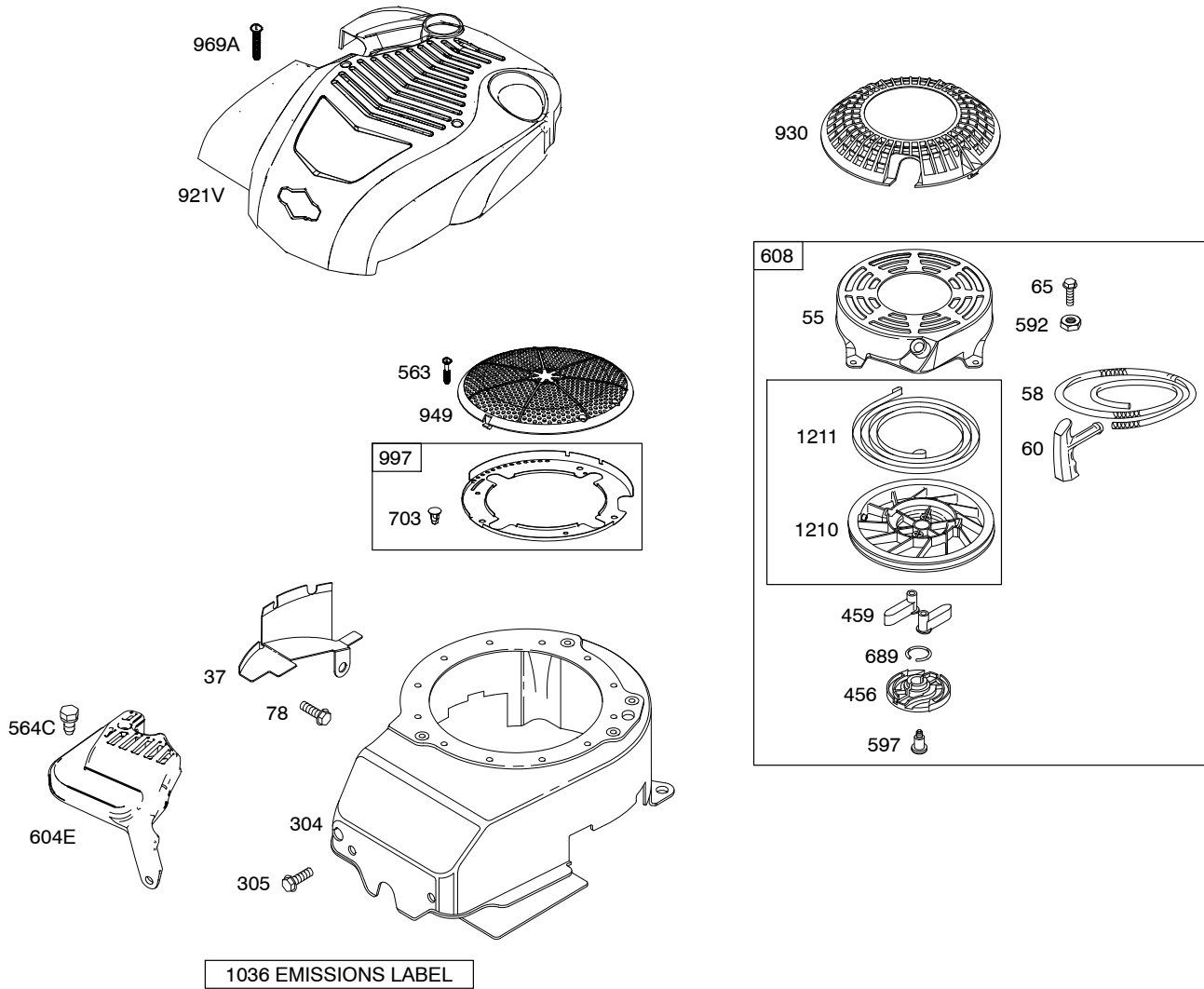
Illustrations cover a range of engines. Parts shown without corresponding text may not be used on your specific engine.
 3974-2 Assemblies include all parts shown in frames. 05/20/2008

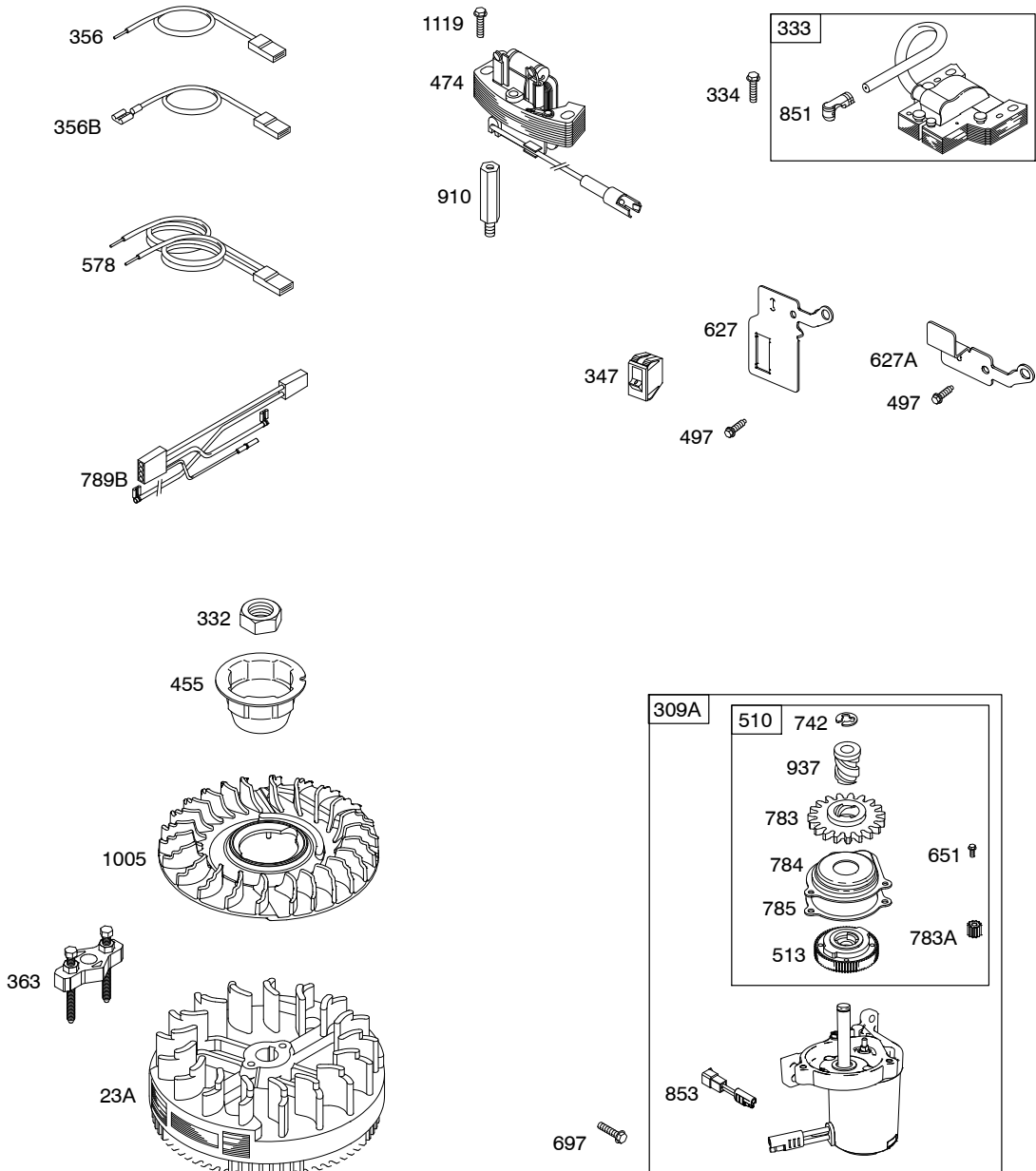


126L00



Illustrations cover a range of engines. Parts shown without corresponding text may not be used on your specific engine.
 3974-4 Assemblies include all parts shown in frames. 05/20/2008





Illustrations cover a range of engines. Parts shown without corresponding text may not be used on your specific engine.
3974-6 Assemblies include all parts shown in frames. **05/20/2008**

REF. NO.	PART NO.	DESCRIPTION	REF. NO.	PART NO.	DESCRIPTION	REF. NO.	PART NO.	DESCRIPTION
1	697322	Cylinder Assembly	20	*399781S	Seal-Oil (PTO Side)	26	795431	Ring Set (Standard)
2	399269	Kit-Bushing/Seal (Magneto Side)	22	691092	Screw (Crankcase Cover/ Sump)			(Used After Code Date 07090300). ----- Note -----
3	*299819S	Seal-Oil (Magneto Side)	23A	691992	Flywheel Used on Type No(s). 0010, 0111, 0117, 0119, 0531, 1100.			791098 Ring Set (Standard) (Used Before Code Date 07090400).
4	493279	Sump-Engine			----- Note -----			795432 Ring Set (.020" Oversize) (Used After Code Date 07090300).
5	691160	Head-Cylinder			691987 Flywheel Used on Type No(s). 0113, 0114, 0115, 0213, 0558, 0615, 0625, 0662, 0675, 0677, 0678, 1080, 1082, 1083, 1084.			791324 Ring Set (.020" Oversize) (Used Before Code Date 07090400).
7	*Ø692249	Gasket-Cylinder Head	24	222698S	Key-Flywheel	27	691866	Lock-Piston Pin
8	695250	Breather Assembly	25	795429	Piston Assembly (Standard) (Used After Code Date 07090300). ----- Note -----	28	499423	Pin-Piston (Standard)
9	*Ø696125	Gasket-Breather			791097 Piston Assembly (Standard) (Used Before Code Date 07090400). 795430 Piston Assembly (.020" Oversize) (Used After Code Date 07090300). 791326 Piston Assembly (.020" Oversize) (Used Before Code Date 07090400).	29	499424	Rod-Connecting (Standard)
10	691125	Screw (Breather Assembly)				32	691664	Screw (Connecting Rod)
11	691781	Tube-Breather				32A	695759	Screw (Connecting Rod)
12	*692232	Gasket-Crankcase				33	262651S	Valve-Exhaust
13	690912	Screw (Cylinder Head)				34	262652S	Valve-Intake
15	691680	Plug-Oil Drain (Square Socket)				35	691270	Spring-Valve (Intake)
16	691455	Crankshaft Used on Type No(s). 0531. ----- Note ----- 691450 Crankshaft Used on Type No(s). 0113, 0114, 0115, 0558, 0625, 0662, 0675, 0677, 0678, 1080, 1082, 1083, 1084. 691451 Crankshaft Used on Type No(s). 0010, 0615, 1100. 696009 Crankshaft Used on Type No(s). 0213. 694849 Crankshaft Used on Type No(s). 0111, 0117, 0119.				36	691270	Spring-Valve (Exhaust)
						37	694086	Guard-Flywheel
						40	692194	Retainer-Valve
						43	691997	Slinger-Governor/Oil
						45	690548	Tappet-Valve
						46	691449	Camshaft
						50A	794305	Manifold-Intake

★ Included in Engine Gasket Set-Ref. No.358.

● Included in Carburetor Overhaul Kit-Ref. No. 121.

◆ Included in Carburetor Gasket Set-Ref. No. 977.

Ø Included in Valve Gasket Set-Ref. No 1095.

Illustrations cover a range of engines. Parts shown without corresponding text may not be used on your specific engine.

3974-7

Assemblies include all parts shown in frames.

05/20/2008

126L00

REF. NO.	PART NO.	DESCRIPTION	REF. NO.	PART NO.	DESCRIPTION	REF. NO.	PART NO.	DESCRIPTION
51A	★794306	Gasket-Intake	117	498978	Jet-Main (Standard)	209B	790944	Spring-Governor Used on Type No(s). 0531.
54	691650	Screw (Intake Manifold)	117A	498981	Jet-Main (Standard)			----- Note -----
55	691421	Housing-Rewind Starter	117B	691428	Jet-Main (Standard)			691851 Spring-Governor
58	697316	Rope-Starter (Cut To Required Length)	118	497466	Jet-Main (High Altitude)			Used on Type No(s). 0113, 0114, 0115.
		----- Note -----	118A	494870	Jet-Main (High Altitude)			699056 Spring-Governor
		791362 Rope-Starter Used on Type No(s). 0114, 0115.	118B	695042	Jet-Main (High Altitude)			Used on Type No(s). 0558, 0615, 0625, 0662, 0675, 0677, 0678, 1080, 1082, 1083, 1084.
60	281434S	Grip-Starter Rope	121	498260	Kit-Carburetor Overhaul			691292 Spring-Governor
65	690837	Screw (Rewind Starter)	125	498170	Carburetor (Primer System)			Used on Type No(s). 0213.
78	691108	Screw (Flywheel Guard)	125A	792253	Carburetor (Choke System)			691290 Spring-Governor
81	691740	Lock-Muffler Screw	125B	794304	Carburetor (Autochoke System)			Used on Type No(s). 0111, 0117, 0119.
95	691636	Screw (Throttle Valve)	127	●694468	Plug-Welch			691291 Spring-Governor
97	493267	Shaft-Throttle (Metal)	130	696564	Valve-Throttle			Used on Type No(s). 0010, 1100.
		----- Note -----	133	398187	Float-Carburetor	222	790143	Bracket-Control (Remote/Manual Friction)(Primer)
		696565 Shaft-Throttle (Plastic)	134	●398188	Kit-Needle/Seat			222C 692150 Bracket-Control (Variable Speed) (5 Postion Manual Choke)
104	●691242	Pin-Float Hinge	137	◆693981	Gasket-Float Bowl			222D 791128 Bracket-Control (Fixed Speed)
108	691182	Valve-Choke	146	690979	Key-Timing			222E 692982 Bracket-Control (Manual Friction 5 Position Manual Choke)
108A	795935	Valve-Choke (Used After Code Date 08031200).	163	◆272653	Gasket-Air Cleaner			
		----- Note -----	187B	791891	Line-Fuel (Includes Filter)			
		790844 Valve-Choke (Used Before Code Date 08031300).	187D	795090	Line-Fuel (Molded)			
109A	498593	Shaft-Choke	188	693399	Screw (Control Bracket)			
109B	795936	Shaft-Choke (Used After Code Date 08031200).	190	690940	Screw (Fuel Tank)			
		----- Note -----	202	691829	Link-Mechanical Governor			
		790843 Shaft-Choke (Used Before Code Date 08031300).						

★ Included in Engine Gasket Set-Ref. No.358.

● Included in Carburetor Overhaul Kit-Ref. No. 121.

◆ Included in Carburetor Gasket Set-Ref. No. 977.

∅ Included in Valve Gasket Set-Ref. No 1095.

Illustrations cover a range of engines. Parts shown without corresponding text may not be used on your specific engine.

REF. NO.	PART NO.	DESCRIPTION	REF. NO.	PART NO.	DESCRIPTION	REF. NO.	PART NO.	DESCRIPTION
227	690783	Lever-Governor Control	304	493294	Housing-Blower Used on Type No(s). 0010, 0119, 0531, 1100.	358	497316	Gasket Set-Engine
231	691636	Screw (Choke Valve)				363	19069	Flywheel Puller
236	691826	Link-Lockout				365	691688	Screw (Carburetor)
240	298090S	Filter-Fuel			----- Note -----	383	89838S	Wrench-Spark Plug
265	690798	Clamp-Casing			790826 Housing-Blower	404	690272	Washer (Governor Crank)
267	691044	Screw (Casing Clamp)			Used on Type No(s). 0113, 0115, 0558, 0615, 0625, 0675, 1080, 1082.	425A	690670	Screw (Air Cleaner Cover)
268	691025	Casing-Control Wire (Cut to Required Length)			790983 Housing-Blower	443A	692523	Screw (Air Cleaner Primer Base)
269	691026	Wire-Control (Cut to Required Length)			Used on Type No(s). 0114, 0213, 0662, 0677, 0678, 1083, 1084.	445A	491588S	Filter-Air Cleaner Cartridge
270	691027	Nut (Control Wire Casing)			791291 Housing-Blower	455	791960	Cup-Flywheel
271	691028	Lever-Control			Used on Type No(s). 0111, 0117.	456	692299	Plate-Pawl Friction
276	◆271716	Washer-Sealing (Main Jet)				459	281505S	Plate-Ratchet
287	690940	Screw (Dipstick Tube)	305	691108	Screw (Blower Housing)	474	691991	Alternator
291	790830	Thermostat	306	690450	Shield-Cylinder	497	690664	Screw (Stop Switch Bracket)
300	692038	Muffler Used on Type No(s). 0010, 0119, 0531, 1100.	306A	790836	Shield-Cylinder	505	691251	Nut (Governor Control Lever)
		----- Note -----	307	690345	Screw (Cylinder Shield)	510	795093	Drive-Starter
		790828 Muffler	309A	795092	Motor-Starter	513	692358	Drive-Clutch
		Used on Type No(s). 0111, 0113, 0114, 0115, 0117, 0213, 0558, 0615, 0625, 0662, 0675, 0677, 0678, 1080, 1082, 1083, 1084.	332	690662	Nut (Flywheel)	523	499621	Dipstick
			333	802574	Armature-Magneto	524	★692296	Seal-Dipstick Tube
			334	691061	Screw (Magneto Armature)	525	495265	Tube-Dipstick
			337	802592S	Plug-Spark (Resistor)	529	691923	Grommet
			339	794797	Tube/Connector Assembly	562	92613	Bolt (Governor Control Lever)
			346	690661	Screw (Spark Arrester)	563	691138	Screw (Debris Guard Screen)
			347	691396	Switch-Rocker	564C	690351	Screw (Control Cover)
			356	692390	Wire-Stop	578	398153	Wire Assembly
			356B	693010	Wire-Stop	584	697734	Cover-Breather Passage
						585	★691879	Gasket-Breather Passage

★ Included in Engine Gasket Set-Ref. No.358.

● Included in Carburetor Overhaul Kit-Ref. No. 121.

◆ Included in Carburetor Gasket Set-Ref. No. 977.

⊘ Included in Valve Gasket Set-Ref. No 1095.

Illustrations cover a range of engines. Parts shown without corresponding text may not be used on your specific engine.

126L00

REF. NO.	PART NO.	DESCRIPTION	REF. NO.	PART NO.	DESCRIPTION	REF. NO.	PART NO.	DESCRIPTION
592	690800	Nut (Rewind Starter)	651	691660	Screw (Starter Gear Cover)	785	692352	Gasket–Starter Cover
597	691696	Screw (Pawl Friction Plate)	668	★493823	Spacer	789B	792685	Harness–Wiring
601	791850	Clamp–Hose	670	692294	Spacer–Fuel Tank	832	499034	Guard–Muffler
604E	794794	Cover–Control	676	396548	Deflector–Muffler	836	690664	Screw (Muffler Guard)
608	497680	Starter–Rewind ----- Note ----- 791363 Starter– Rewind Used on Type No(s). 0114, 0115. 697671 Starter– Rewind Used on Type No(s). 1100.	676C	493871	Deflector–Muffler	842	★691031	Seal–O Ring (Dipstick Tube)
613	691340	Screw (Muffler) ----- Note ----- 790833 Screw (Muffler) Used on Type No(s). 0111, 0113, 0114, 0115, 0117, 0213, 0558, 0615, 0625, 0662, 0675, 0677, 0678, 1080, 1082, 1083, 1084.	677	690661	Screw (Muffler Deflector)	843	691884	Sleeve–Lever (Speed Control)
615	690340	Retainer–Governor Shaft	684	690345	Screw (Breather Passage Cover)	843A	691895	Sleeve–Lever (Choke)
616	698801	Crank–Governor	689	691855	Spring–Detent	847	692047	Dipstick/Tube Assembly
617★◆	270344	Seal–O Ring (Intake Manifold)	692	690572	Spring–Friction	851	493880S	Terminal–Spark Plug
621	692310	Switch–Stop	697	691127	Screw (Drive Cap)	853	695268	Adapter–Wire
627	792565	Bracket–Stop Switch	703	696309	Clip	868	697338	Seal–Valve
627A	793211	Bracket–Stop Switch	718	690959	Pin–Locating	869	691155	Seat–Valve (Intake)
633	◆691321	Seal–Choke/Throttle Shaft	741	795755	Gear–Timing (Plastic) ----- Note ----- 794388 Gear–Timing (Use Without Woodruff Key) (Used After Code Date 07093000). 790345 Gear–Timing (Use Without Woodruff Key) (Used Before Code Date 07100100). 691830 Gear–Timing (Uses Woodruff Key)	870	690380	Seat–Valve (Exhaust)
633A	◆693867	Seal–Choke/Throttle Shaft	742	93941	Retainer–E Ring	871	262001	Bushing–Valve Guide (Exhaust) ----- Note ----- 63709 Bushing–Valve Guide (Intake)
635	66538S	Boot–Spark Plug	745	691648	Screw (Brake)	883	★∅691881	Gasket–Exhaust
			783	691918	Gear–Pinion (Starter Drive) (19 Teeth)	910	691094	Stud (Alternator)
			783A	691269	Gear–Pinion (12 Teeth)	921V	795089	Cover–Blower Housing
			784	795095	Cover–Starter Gear	922	691831	Spring–Brake
						922A	692135	Spring–Brake
						923	691994	Brake
						923A	695891	Brake
						930	691919	Guard–Rewind
						935	499421	Switch–Interlock
						937	691325	Spline–Starter
						949	696306	Guard–Debris Screen
						957C	794793	Cap–Fuel Tank (Plastic)

★ Included in Engine Gasket Set–Ref. No.358.

● Included in Carburetor Overhaul Kit–Ref. No. 121.

◆ Included in Carburetor Gasket Set–Ref. No. 977.

∅ Included in Valve Gasket Set–Ref. No 1095.

Illustrations cover a range of engines. Parts shown without corresponding text may not be used on your specific engine.

REF. NO.	PART NO.	DESCRIPTION	REF. NO.	PART NO.	DESCRIPTION	REF. NO.	PART NO.	DESCRIPTION
966C	794798	Base–Air Cleaner Primer ----- Note ----- 795641 Base–Air Cleaner Primer Used on Type No(s). 1100.	977	498261	Gasket Set–Carburetor	1210	498144	Pulley/Spring Assembly (Pulley)
967A	493537S	Filter–Pre Cleaner	994	398067	Arrestor–Spark	1211	498144	Pulley/Spring Assembly (Spring)
968B	692298	Cover–Air Cleaner	997	696310	Shield–Debris	1319	794467	Label–Warning
969A	691138	Screw (Blower Housing Cover)	1005	691346	Fan–Flywheel	1330	270962	Manual–Repair
972C	794792	Tank–Fuel (Plastic)	1036		Label–Emissions (Available From A Briggs & Statton Authorized Dealer)	1386	790848	Vane–Air (Autochoke System)
975	493640	Bowl–Float	1058	277039	Operator’s Manual	1387	790849	Spring–Air Vane
976	694395	Primer–Carburetor	1059	692311	Kit–Screw/Washer	1388	790850	Screw (Air Vane) (Autochoke System)
			1095	498528	Gasket Set–Valve			
			1119	692979	Screw (Alternator)			
			1160	690345	Screw (Interlock Switch)			

★ Included in Engine Gasket Set–Ref. No.358.

● Included in Carburetor Overhaul Kit–Ref. No. 121.

◆ Included in Carburetor Gasket Set–Ref. No. 977.

∅ Included in Valve Gasket Set–Ref. No 1095.

Illustrations cover a range of engines. Parts shown without corresponding text may not be used on your specific engine.